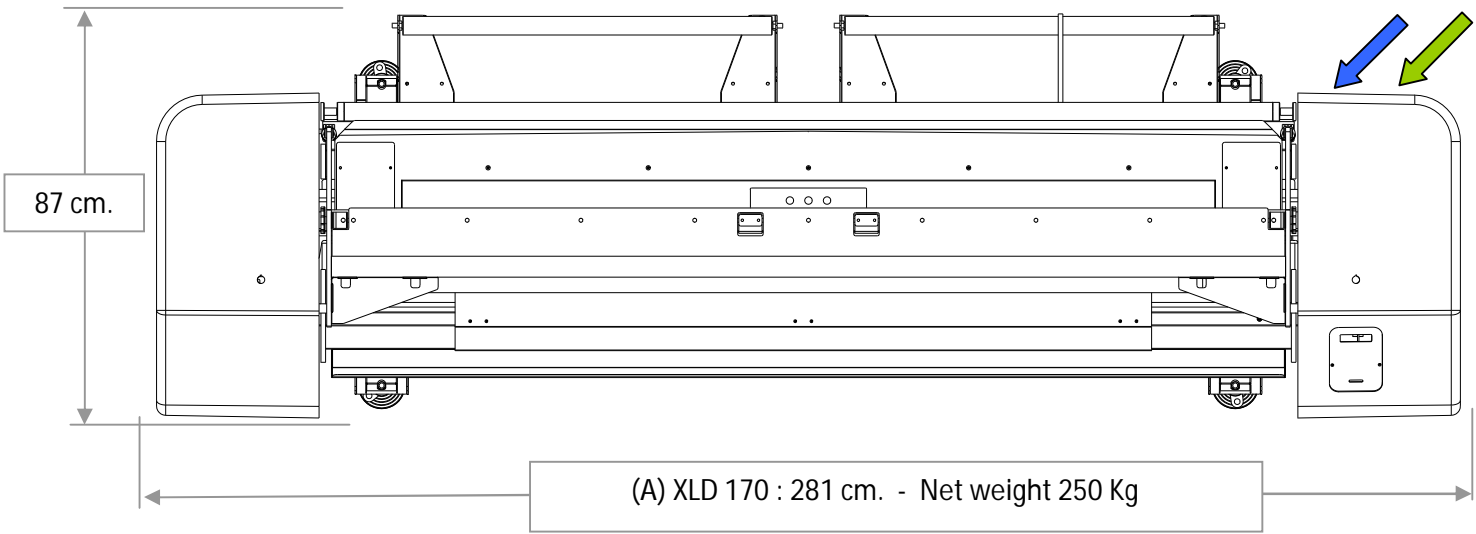


**LOADING AREA ( A ) x 80 cm.**



**AIR CONNECTION 1.8 Bar**  
**Rapid fitting 1/8" for plastic tube Ø 8**  
**Air Consumption : 0.1 l x cicle**

**POWER SUPPLY 230V.ac 250W.**

**NO NETWORK CABLE IS REQUEST**

